

PS2000W

PRESSURE SWITCH NEMA 4, 4X, IP65

PS2000W

Proof Pressure to 4000psi
Adjustable Ranges: 10~2400psi
Temperature: -20 to 205°C

The New-Flow PS2000W, a water proof pressure switch, is designed to be used in control systems. PS2000W has high set point repeatability and narrow dead band features. A variety of range selections are available upon request. Easily adjusted to the set point, and no special tools needed!

Technical Data

Switch Data: one SPDT & two SPDT Microswitch, 15amps 125/250VAC, Gold Contact Microswitch 1A 125/250VAC

Housing: die cast aluminum alloy with paint

Conduit Connection: 3/4" or 1/2" NPT Female

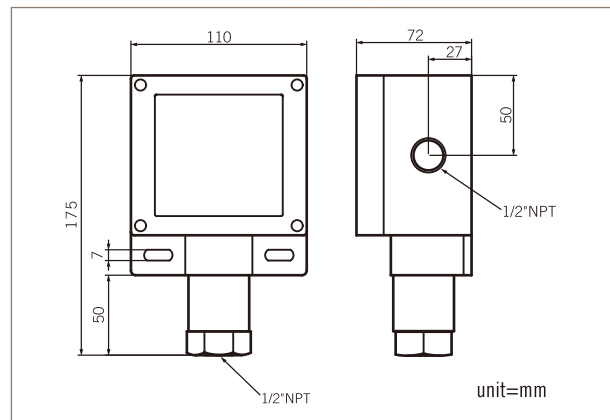
Pressure Element: welded type diaphragm

Process Materials: wetted parts all in SS316

Process Connection: 1/2" or 1/4" NPT Female



Dimensions



Range Selection Table

Code	Adjustable Range	Dead Band	Maximum Pressure Proof
10R	10~100psi	2.8~6.4	3000psi
20R	35~200psi	4.3~7.0	3000psi
30R	50~300psi	4.3~7.0	3000psi
60R	100~600psi	5.0~15	3000psi
130R	100~1300psi	14.2~56.8	3000psi
240R	300~2400psi	14.2~71	4000psi

Ordering Information

PS2000W	Code	Range							
		10R 10~100psi	20R 35~200psi	30R 50~300psi	60R 100~600psi				
		130R 100~1300psi	240R 300~2400psi						
	Code	Wetted Material							
	A	SS316							
	Code	Process Connection							
		(1) 1/2" NPT Female (2) 1/4" NPT Female							
	Code	Conduit Connection							
		(E) 3/4" NPT Female (F) 1/2" NPT Female, standard							
	Code	Switch Form							
	1	One SPDT							
	2	Two SPDT (one setting point)							
	3	Gold Contact (SPDT)							
PS2000W								Complete Ordering Code	