

STAINLESS STEEL PRESSURE GAUGES

PGS-SERIES

This all stainless steel pressure gauge is designed for chemical, food processing, petroleum, industries. Glycerine-filled design is optional to situations of high frequency pressure fluctuations or surges.

Features

- External Zero Adjustment (optional)
- Standard followed EN 837-1
- CE marking (as per PED 97/23/EC)

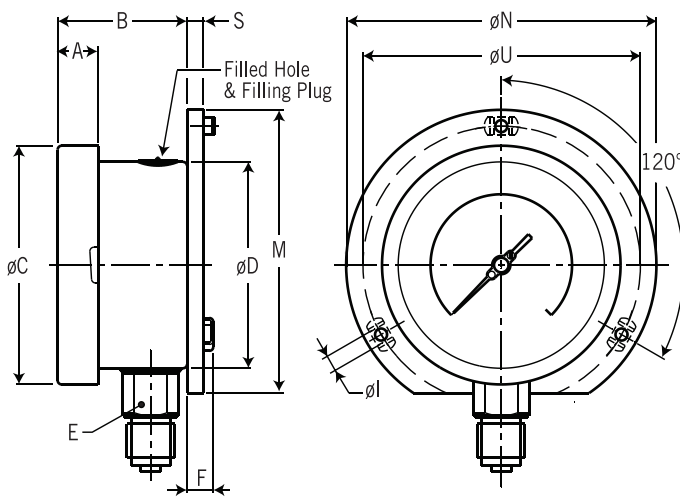
Technical Data

- Dial Size:** $\varnothing 100\text{mm}$ and $\varnothing 150\text{mm}$ available
- Ranges:** $-1\sim 0\text{ kg/cm}^2\dots 0\sim 1600\text{ kg/cm}^2$
- Unit:** kg/cm^2 , Bar, Psi, MPa, kPa...; Single scale or Dual scale available
- Protection:** IP66
- Accuracy:** $\pm 1\%$ of F.S.
- Case & Bezel Material:** Stainless steel 304 (standard)
- Movement:** Stainless steel 304
- Bourdon Material:** Stainless steel 316L
- Socket Material:** Stainless steel 316L (directly welded to case)
- Connection Size:** Male $\frac{1}{2}$ "NPT or $\frac{1}{2}$ "BSP available
- Window:** Safety Glass
- Gasket & Filling Plug & Blow-Out:** Neoprene
- Pointer:** Aluminum, black coloured micrometer zero adjustable
- Dial:** Aluminum, black graduation on white background
- Temperature Limit:** Ambient temp.: -25°C to $+65^\circ\text{C}$; Process temp.: max 300°C
- Operating Pressure Range:** 75% of scale value
- Over Pressure Limit:** $\leq 100\text{bar}$: 125% of max. scale value
 > 100 to $\leq 600\text{bar}$: 115% of max. scale value
 > 600 to $\leq 1600\text{bar}$: 110% of max. scale value

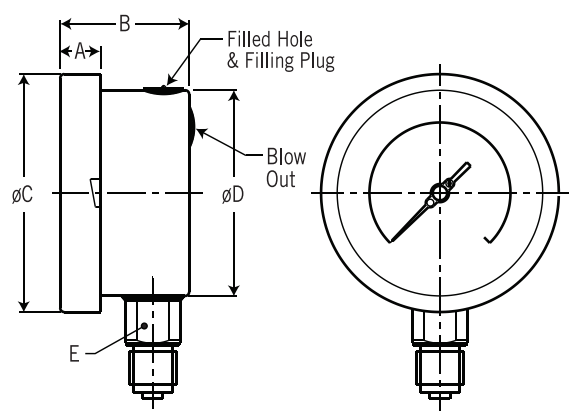


Mounting Type / Dimensions

TYPE 1.



TYPE 2.



unit=mm

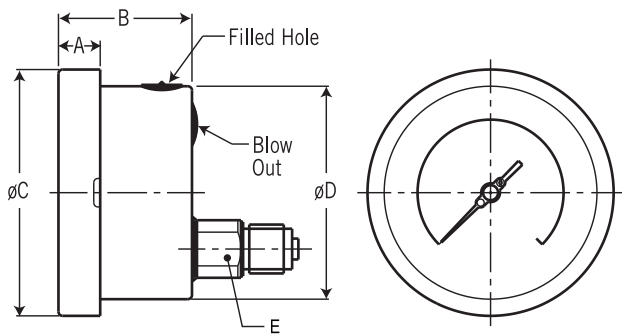
TYPE 1.	A	B	$\varnothing C$	$\varnothing D$	E	M	S	F	$\varnothing l$	$\varnothing N$	$\varnothing U$
100	12.5	45	111	100	22	128	6	14.5	6	134	118
150	15.0	46.5	161	149	22	174.5	4	14.5	6	186	168

unit=mm

TYPE 2.	A	B	$\varnothing C$	$\varnothing D$	E
100	12.5	47	111	100	22
150	15.0	49	161	149	22

Mounting Type / Dimensions

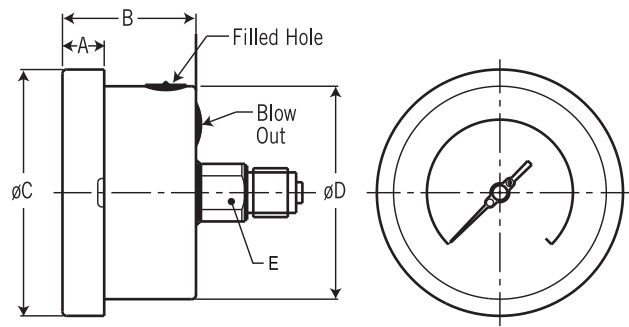
TYPE 3.



unit=mm

TYPE 3.	A	B	øC	øD	E
100	12.5	47	111	100	22
150	15.0	49	161	149	22

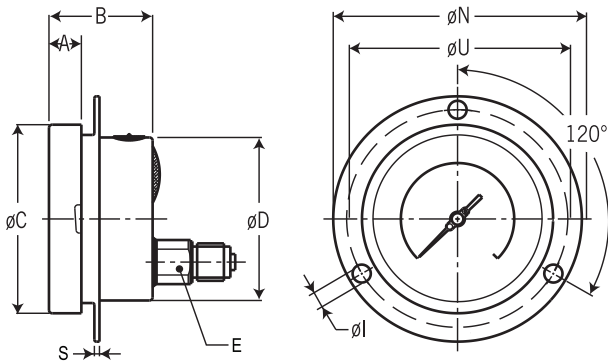
TYPE 4.



unit=mm

TYPE 4.	A	B	øC	øD	E
100	12.5	47	111	100	22

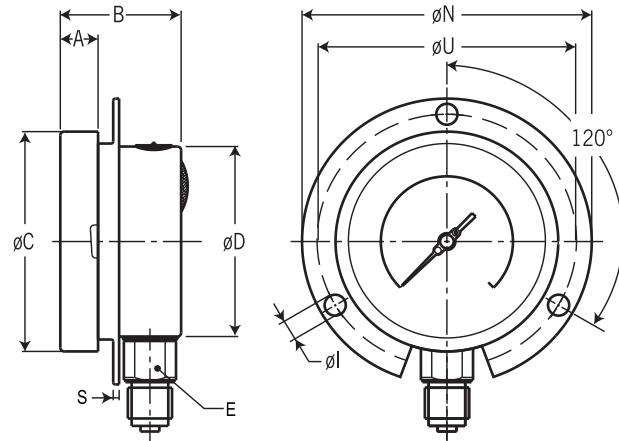
TYPE 5.



unit=mm

TYPE 5.	A	B	øC	øD	E	S	øl	øN	øU
100	12.5	45	111	100	22	1	6	134	118
150	15.0	46.5	161	149	22	1	6	186	168

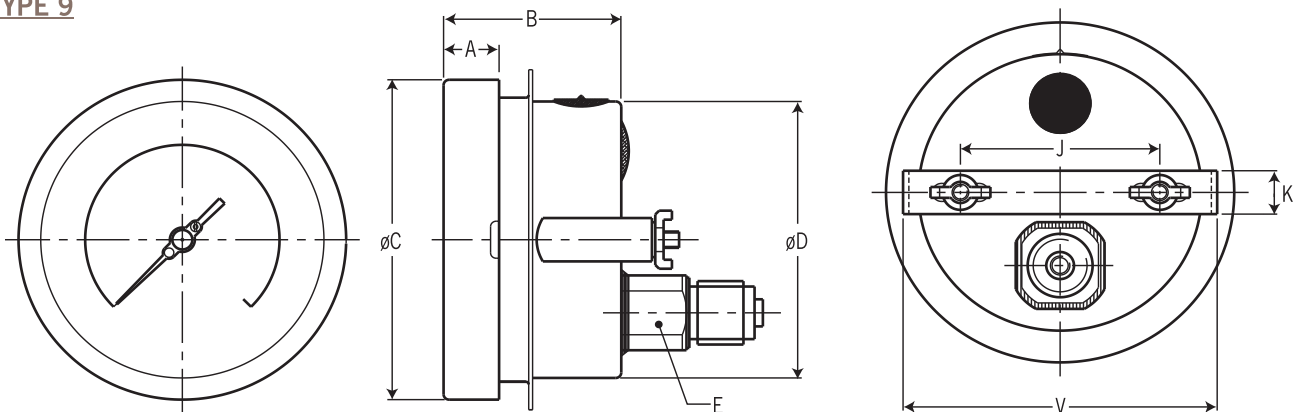
TYPE 11.



unit=mm

TYPE 11.	A	B	øC	øD	E	S	øl	øN	øU
100	12.5	47	111	100	22	1	6	134	118
150	15.0	49	161	149	22	5	6	186	168

TYPE 9



unit=mm

TYPE 9.	A	B	øC	øD	E	J	K	V
100	12.5	47	111	100	22	72	16	108
150	15.0	49	161	149	22	106.5	16	166

Range Table

PRESSURE RANGES			VACUUM & COMPOUND RANGES			RECEIVER RANGES	
Single Scale	Dual Scale		Single Scale	Dual Scale		Linear Scale	Square Root Scale
kg/cm ² or bar	kg/cm ²	psi	kg/cm ²	inHg & psi	mmHg & kg/cm ²		
0/0.6			-1/0	-30/0	-760/0	(0-100% Internal Scale)	(0-10 Sq- Root Internal Scale)
0/1	0/1	0/15	-1/0.6	-30/15	-760/1	External Scale	External Scale
0/1.6			-1/1.5	-30/30	-760/2	0.2-1 kg/cm ² or 3-15psi	0.2-1 kg/cm ² or 3-15psi
	0/2	0/30	-1/3	-30/60	-760/4	(0-100% Linear Scale)	(0.2-1 kg/cm ²)
0/2.5			-1/5	-30/100	-760/7		
0/4	0/4	0/60	-1/9	-30/150	-760/10		
0/6			-1/15	-30/200	-760/14		
	0/7	0/100	-1/24	-30/300	-760/21		
0/10	0/10	0/150		-30/350	-760/25		
0/16	0/16	0/220					
	0/20	0/300					
0/25							
	0/28	0/400					
	0/35	0/500					
0/40	0/40	0/600					
0/60							
	0/70	0/1000					
0/100	0/100	0/1500					
0/160	0/160	0/2200					
	0/200	0/3000					
0/250							
	0/280	0/4000					
	0/350	0/5000					
0/400							
	0/420	0/6000					
0/600							
	0/700	0/10000					
0/1000	0/1000	0/15000					
0/1600	0/1600	0/22000					

Ordering Information

PGS SERIES	Code	Dial Size
		(A) ø100mm (B) ø150mm
		Code Mounting Type
	1	Wall/ Surface/ Projection mounting with bottom entry
	2	Direct bottom entry
	3	Direct Lower back entry
	4	Direct Center back entry (for Dial ø100mm only)
	5	Lower back entry with front flange
	9	Lower back entry with mounting bracket
	11	Bottom entry with front flange (for Dial ø100 or ø150mm available)
		Code Connection Size
		(4N) ½"NPT(M), standard (4B) ½"BSP(M) (O) option
		Code Measure Range
		Please fill out your request pressure range directly.
PGS SERIES		Complete Ordering Code

WWW.NEW-FLOW.COM • TEL: 886-7-8135500 • FAX: 886-7-8225588 • Email: info@new-flow.com