

FLOW SWITCH FS20

FS20R & FS20 Din – Weather Proof
FS20X – Explosion Proof

Technical Data

Size: From 1/2" to 1"
Service: For liquid fluid
Material: Wetted parts 316 stainless steel
Temperature Limit: -20 to 150°C
Pressure Limit: 7.0 MPa (70 kg/cm²)
Enclosure housing: FS20R – Weather Proof
 FS20 Din – Weather Proof
 FS20X – Explosion Proof

Switch function: SPDT micro switch
Switch rating: 3A/250VAC, 3A/30VDC, 0.4A/125VDC
Conduit Connection: 1/2" NPT female, option available

PATENT NO.
M290238



CAUTION.
If using the FS20 for the Emergency Shower, Please contact with the manufacturer at the first!!



FS-20R



FS-20 DIN

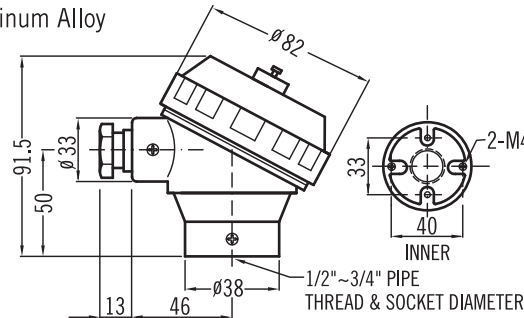


FS-20X

Head Type

FS20R – Weather Proof IP68

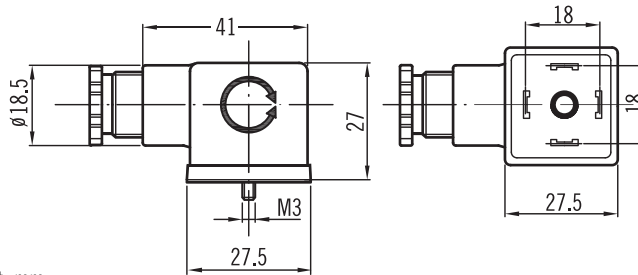
Material: Aluminum Alloy



unit=mm

FS20 Din – Weather Proof IP65

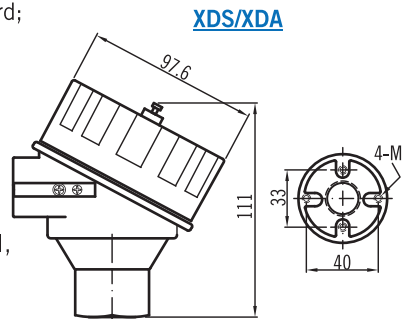
Material: Thermoplastic Rubber
Cable Gland: PG9
Connector: DIN43650



unit=mm

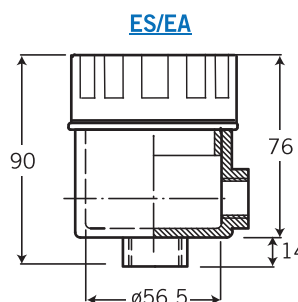
FS20X – Explosion Proof

Material: Aluminum Alloy- standard; SS316 available
ATEX directive code: II 2 G D
Standard code: Ex d IIC T6, Ex tD A21 T100°C IP68
FM Approvals: XP/II/1/ABCD/T6; DIP/II, III/1/EFG/T6; Type 4X, Explosion proof for Class I, Division 1, Groups A,B,C and D; and dust-ignition proof for class II, III, Division 1, Groups E,F and G, hazardous (classified) locations; indoor/outdoor (NEMA Type 4X).

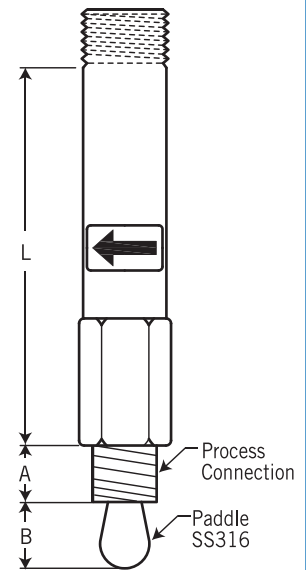


unit=mm

Protection:
 Ex II 2 GD Ex d IIB+H2 Gb T6; Ex tb IIIC Db T85°C; IP68
 ITRI/Taiwan, Ex d IIB + H2 T6 Gb
Material: ES: SS316 / EA: Aluminum Alloy
Extension wire connection: 1/2", 3/4" (PF, NPT, BSP)
Weight: 1054 g



Dimensions



Size	L	A	B
1/2"	90	19	27
3/4"	90	20	32
1"	90	21	42

Connection Diagram

