

PLASTIC THREAD TYPE DIAPHRAGM SEAL

DT114

Application

DT114 diaphragm seal is made with material including, special plastic to provide to against the acid fluid for application in customers device. Its easy to assemble with pressure gauges, pressure switches and pressure transducers.

Technical Data

Instrument connection: Female thread ¼" to ½" BSP or NPT

Membrane size: Ø55, Ø75

Process connection: ¼" to ½" BSP or NPT

Measurement range: -760mmHg ~ 0 ~ 10 kg/cm² (Ø75 Membrane)
0 ~ 10 kg/cm² (Ø55 Membrane)

Max. temperature: Up to 120°C

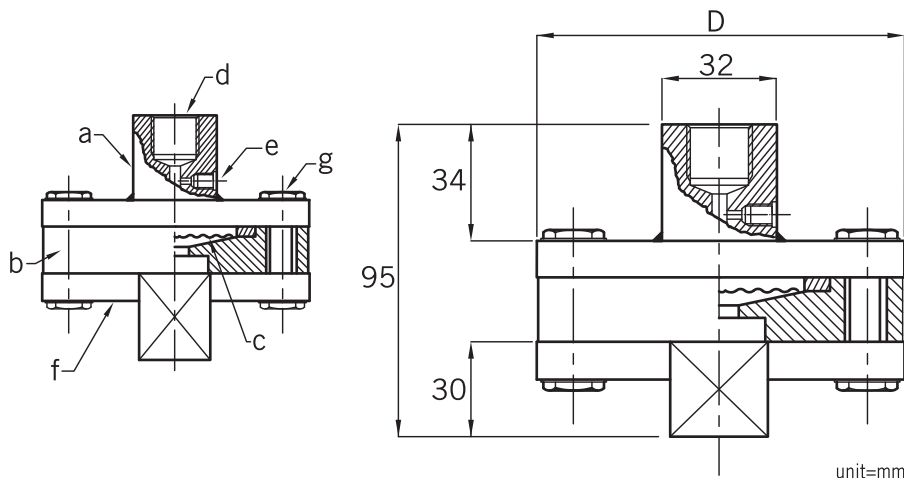
Material: Upper housing - SS316 (standard); Low housing - P.V.C, P.P, PVDF, Teflon available

Membrane material: SS316L+Teflon lining (standard); Options - Hastelloy C276, Titanium, Tantalum and others on request.



Dimensions

Item	Description of Parts
a	Upper housing
b	Low housing
c	Membrane
d	Instrument connection
e	Filling port
f	Supporting ring
g	Screw bolt



Membrane size	
Ø	55 75
D	80 100

Ordering Information

DT114	Code	Instrument Connection Size (Female)
		(A) ¼"BSP (B) ¼"NPT (C) ⅜"BSP (D) ⅜"NPT (E) ½"BSP (F) ½"NPT
		Code Membrane Size
		(1) ø55 (2) ø75
		Code Process Connection Size
		(A) ¼" (B) ⅜" (C) ½"
		Code Process Connection Thread
		(A) NPT (male) (B) NPT (female) (C) PF (male) (D) PF (female)
		Code Upper Housing Material
		(S) SS316 (O) option
		Code Lower Housing Material
		(V) PVC (P) P.P (T) Teflon (PV) PVDF
		Code Membrane Material
		(H) Hastelloy C276 (Ti) Titanium (Ta) Tantalum
		(Tf) SS316L+Teflon lining (O) option
DT114		Complete ordering code