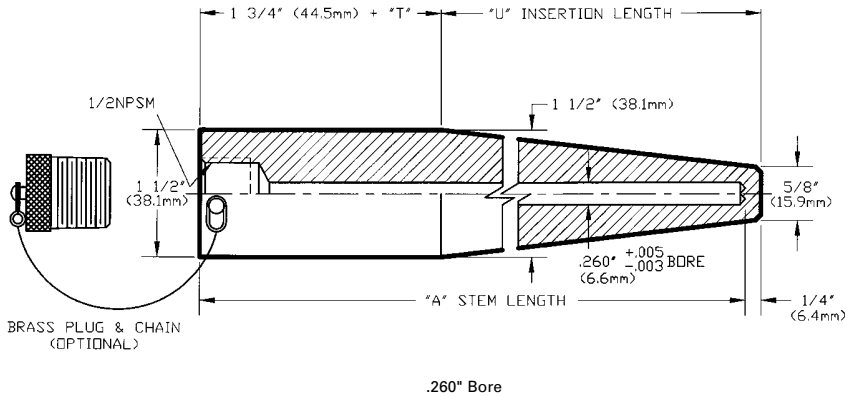


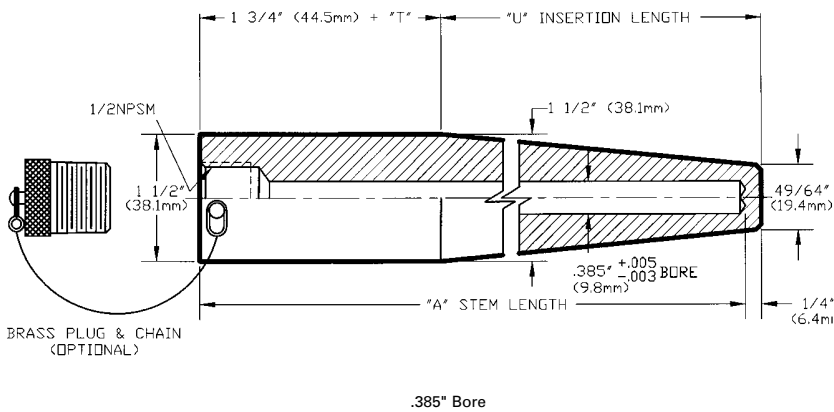
WELD-IN THERMOWELLS FOR 1/4" AND 3/8" DIAMETER ELEMENTS

Model 260TWI - Weld-In



MODEL	DIAMETER	STEM LENGTH A	INSERTION LENGTH U
260TWI	1-1/2"	4"	2-1/2"
		6"	4-1/2"
		9"	7-1/2"
		12"	10-1/2"
		15"	13-1/2"
		18"	16-1/2"
		24"	22-1/2"

Model 385TWI - Weld-In



MODEL	DIAMETER	STEM LENGTH A	INSERTION LENGTH U
385TWI	1-1/2"	4"	2-1/2"
		6"	4-1/2"
		9"	7-1/2"
		12"	10-1/2"
		15"	13-1/2"
		18"	16-1/2"
		24"	22-1/2"

APPLICATION:

For welding directly into piping.

MATERIALS:

Carbon Steel (C-1018); 304SS; 316SS; Chrome Moly (F-11 or F-22 as specified). Other materials available upon request.

CAP & CHAIN:

Available upon request for keeping thermowell bore clean when not in use.

LAGGING EXTENSION:

Specify by adding to "T" dimension to 1-3/4" head dimension.

TO ORDER PLEASE SPECIFY:

- Model
- Material
- Process Connection
- "U" - Insertion Length and
- "A" - Stem Length
- Options as required

TEL-TRU MANUFACTURING CO.
1-800-232-5335

See <http://www.teltru.com> for technical data on pressure and temperature ratings and maximum fluid velocity.