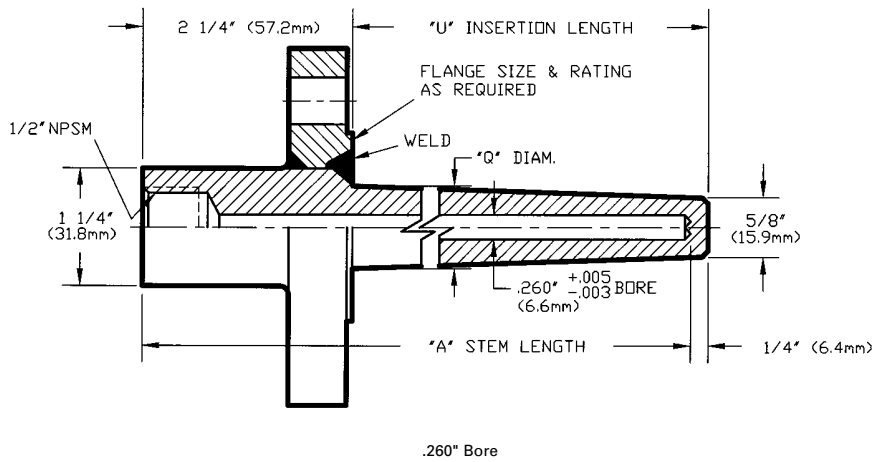


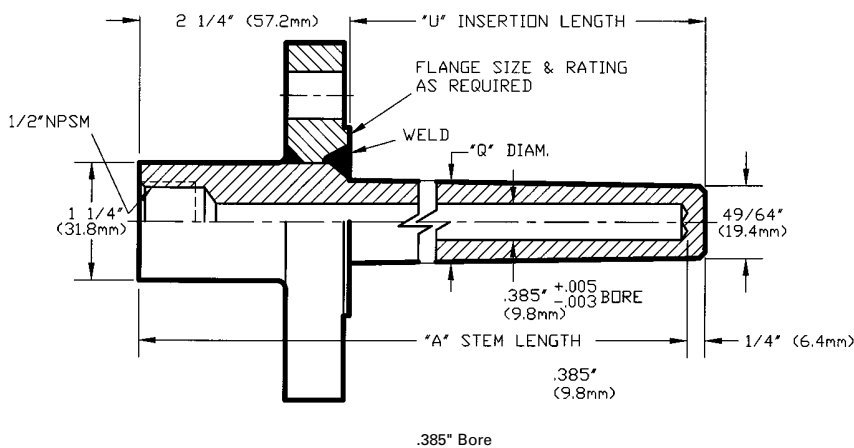
HEAVY DUTY FLANGED THERMOWELLS FOR 1/4" AND 3/8" DIAMETER ELEMENTS

Model 260TWFH - Heavy Duty Flanged



MODEL	STEM LENGTH A	INSERTION LENGTH U	SHANK DIAMETER Q	BORE DIAMETER B
260TWFH	4"	2"	7/8"	.260"
260TWFH	6"	4"		
260TWFH	9"	7"		
260TWFH	12"	10"		
260TWFH	15"	13"		
260TWFH	18"	16"		
260TWFH	24"	22"		

Model 385TWFH - Heavy Duty Flanged



MODEL	STEM LENGTH A	INSERTION LENGTH U	SHANK DIAMETER Q	BORE DIAMETER B
385TWFH	4"	2"	7/8"	.385"
385TWFH	6"	4"		
385TWFH	9"	7"		
385TWFH	12"	10"		
385TWFH	15"	13"		
385TWFH	18"	16"		
385TWFH	24"	22"		

FLANGE SIZES:

1" and 1-1/2" flanges in all facings and pressure ratings are standard. Other sizes are available on application. Machined to meet ANSI B-16.5. Traceable to mill test reports.

MATERIALS:

Carbon Steel (C-1018); 304SS; 316SS; Monel. Other special materials available upon request.

WELDING:

Primary weld is "J" groove type; secondary weld is 45° bevel groove. Welding is performed by certified welders using inert gas shielded arc.

CAP & CHAIN:

Available upon request for keeping thermowell bore clean when not in use. (Not shown)

LAGGING EXTENSION:

Specify model TWFHE. Add lagging extension length to 2-1/4" head dimension.

TO ORDER PLEASE SPECIFY:

- Model
- Material - Thermowell
- Material - Flange (if different)
- Flange Size
- Pressure Rating
- Flange Type - Raised Face, Flat Face, or Ring Type Joint
- "U" - Insertion Length and "A" - Stem Length
- Options as required

TEL-TRU MANUFACTURING CO.
1-800-232-5335

See <http://www.teltru.com> for technical data on pressure and temperature ratings and maximum fluid velocity.