

# FLANGED THERMOWELLS FOR 1/4" AND 3/8" DIAMETER ELEMENTS

## FLANGE SIZES:

1" and 1-1/2" flanges in all facings and pressure ratings are standard. Other sizes are available on application. Machined to meet ANSI B-16.5. Traceable to mill test reports.

## MATERIALS:

Carbon Steel (C-1018); 304SS; 316SS; Monel. Other special materials available upon request.

## WELDING:

Primary weld is "J" groove type; secondary weld is 45° bevel groove. Welding is performed by certified welders using inert gas shielded arc.

## CAP & CHAIN:

Available upon request for keeping thermowell bore clean when not in use. (Not shown)

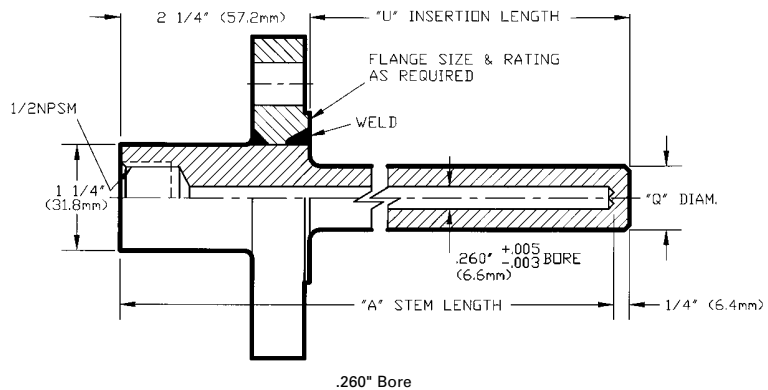
## LAGGING EXTENSION:

Specify model TWFE. Add lagging extension length to 2-1/4" head dimension.

## TO ORDER PLEASE SPECIFY:

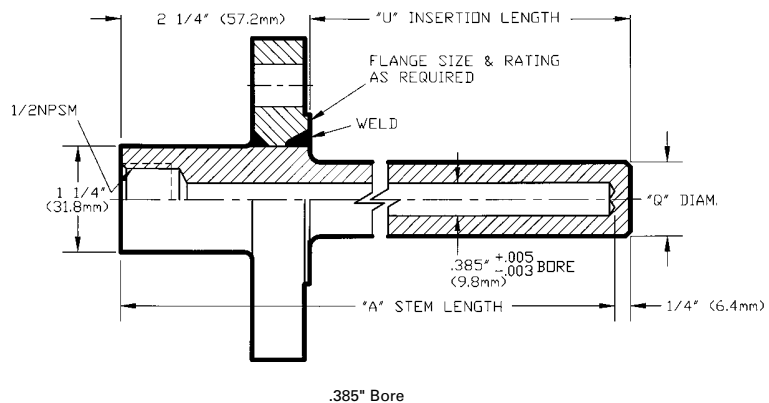
- Model
- Material - Thermowell  
Material - Flange (if different)
- Flange Size
- Pressure Rating
- Flange Type - Raised Face, Flat Face, or Ring Type Joint
- "U" - Insertion Length and  
"A" - Stem Length
- Options as required

## Model 260TWF - Flanged



MODEL	STEM LENGTH A	INSERTION LENGTH U	SHANK DIAMETER Q	BORE DIAMETER B
260 TWF	4"	2"	3/4"	.260"
260 TWF	6"	4"		
260 TWF	9"	7"		
260 TWF	12"	10"		
260 TWF	15"	13"		
260 TWF	18"	16"		
260 TWF	24"	22"		

## Model 385TWF - Flanged



MODEL	STEM LENGTH A	INSERTION LENGTH U	SHANK DIAMETER Q	BORE DIAMETER B
385 TWF	4"	2"	7/8"	.385"
385 TWF	6"	4"		
385 TWF	9"	7"		
385 TWF	12"	10"		
385 TWF	15"	13"		
385 TWF	18"	16"		
385 TWF	24"	22"		

## Flange Configurations Available

NOMINAL PIPE SIZE	PRESSURE RATING	FLANGE TYPE
1" 1-1/2" 2"	150#	Raised Face Flat Face Ring Joint
	300#	
	600#	
	900#	
	1500# 2500#	

Other flange sizes available.

TEL-TRU MANUFACTURING CO.  
1-800-232-5335

See <http://www.teltru.com> for technical data on pressure and temperature ratings and maximum fluid velocity.