



PRODUCT CONFIGURATION

PRODUCT IDENTIFIER 1

RT40 = Flow Rate Totalizer with backlit large digit LCD, scalable pulse output and aluminum IP66 housing

ELECTRICAL ACCESS 2

1 = M16 x 1.5mm for Al housing female threaded conduit entry ports (sealed ports remain IP66/67 when not used)

FLOW INPUT TYPE 3

D = Digital (pulse or frequency)

POWER SUPPLY 4

0 = Self-powered (battery) or regulated 8-24 V (dc)

HOUSING TYPE 5

FA = Universal mount (field or panel) - aluminum housing

MA = Integral meter mount - aluminum housing*

* Only order MA when retro fitting an instrument to OM series pulse meters

MECHANICAL OPTIONS 6

- **P** = Facia protector - for aluminum housing only (3 mm clear polycarbonate protection plate)

--->>>> **1 2 3 4 5 6**
RT40 1 D 0 FA -P

RT40 FLOW RATE TOTALIZER

The **FLOMEC® RT40 Flow Rate Totalizer** LCD display is specifically designed for displaying flow rates and totals from flow meters with pulse, sine wave or frequency outputs. A robust aluminum housing and acrylic front cover makes it suitable for heavy duty use in mine sites and mobile applications. The instrument displays re-settable (batch) total, cumulative total and instantaneous flow rate in engineering units programmable by the user.

FEATURES / BENEFITS

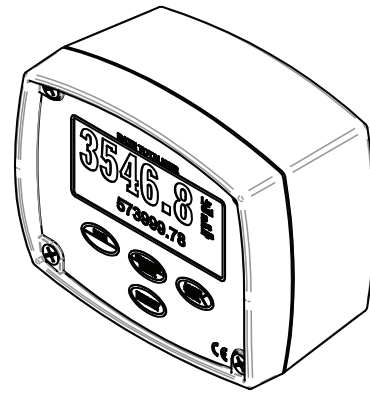
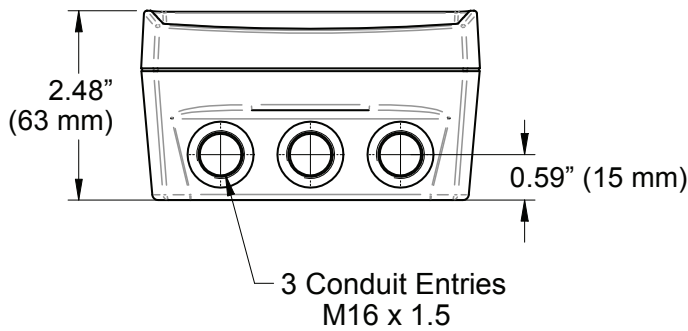
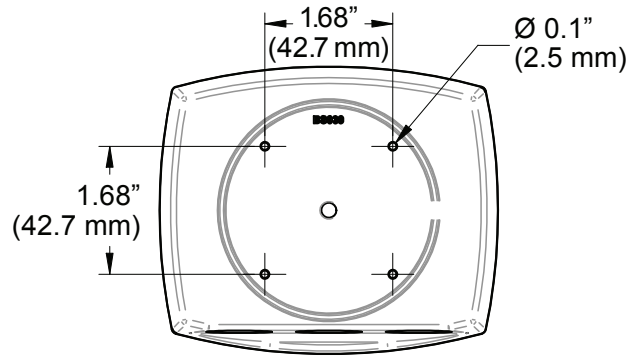
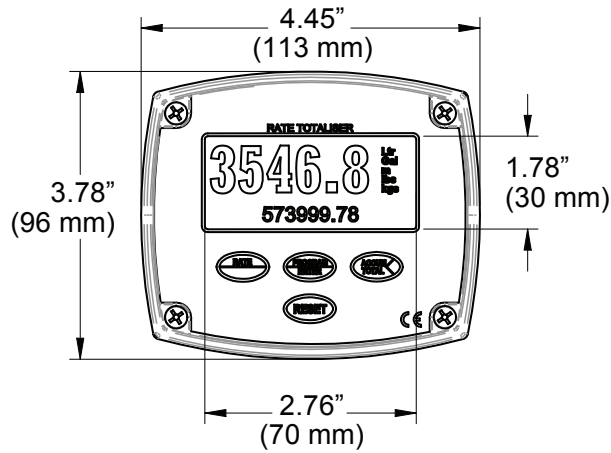
- Economic and robust LCD display suitable for mine sites and service truck installations
- Large backlit** LCD screen displaying 5-digit flow rate, 6-digit resettable total and 8-digit cumulative total
- Battery or externally powered; battery life span is 3 years, approximately**
- Robust IP65 (NEMA 4) Aluminum housing capable of being field or panel mounted
- Scaled pulse output**
- Universal inputs
- Reverse polarity protection
- Flowmeter and pipe mount kits available
- PIN protected programming with simple programming flow-chart

**External power required for back light or pulse output features.

SPECIFICATIONS

| | |
|-------------------------|--|
| Display | Large backlit LCD 6-digit display with 8-digit secondary display line |
| Temperature Range | -4°F - +176°F (-20°C - +80°C) |
| Signal Input | Reed switch, Hall effect, Namur proximity detectors, voltage, current and coil (15mV P-P min) |
| Max. Input Frequency | Max. input frequency 5 kHz under external power. Maximum input frequency when not externally powered is 150 Hz |
| Signal Output | NPN transistor, scalable |
| Max. Output Frequency | 20 Hz |
| Battery Power | 3.6 V (dc), approximate 3 year life span |
| External Power | Regulated 8-24 V (dc) x 50 mA minimum |
| Protection Class & Body | IP65 (NEMA 4) Aluminium body |
| Mounting | Field, meter or panel mount |
| Engineering Units | Selectable Ltr, gal, m ³ , kgs, lbs (total). /s, /min, /hr or /day (rate) |
| Cable Entries | 3 x M16 x 1.5 |

DIMENSIONS



UNLESS OTHERWISE SPECIFIED

GREAT PLAINS INDUSTRIES

Service & Warranty: For technical assistance, warranty replacement or repair contact your FLOMEC® or GPI® distributor: In North or South America: 888-996-3837 / FLOMEC.net
Outside North or South America: +61 2 9540 4433 / FLOMEC.net

Wichita · Sydney · Mexico City

GREAT PLAINS INDUSTRIES **GPI**